



# LITESPHERE DROP 2.0

**Litesphere Drop 2.0 String Light- How it works**

A simple 3 step order process for cord spacing, drop length, light engine with globe, and power lead length to create a unique experience for personal or public space.

**CONNECTION**  
IP65 Outdoor 2 pin twist connector for solid, reliable performance.

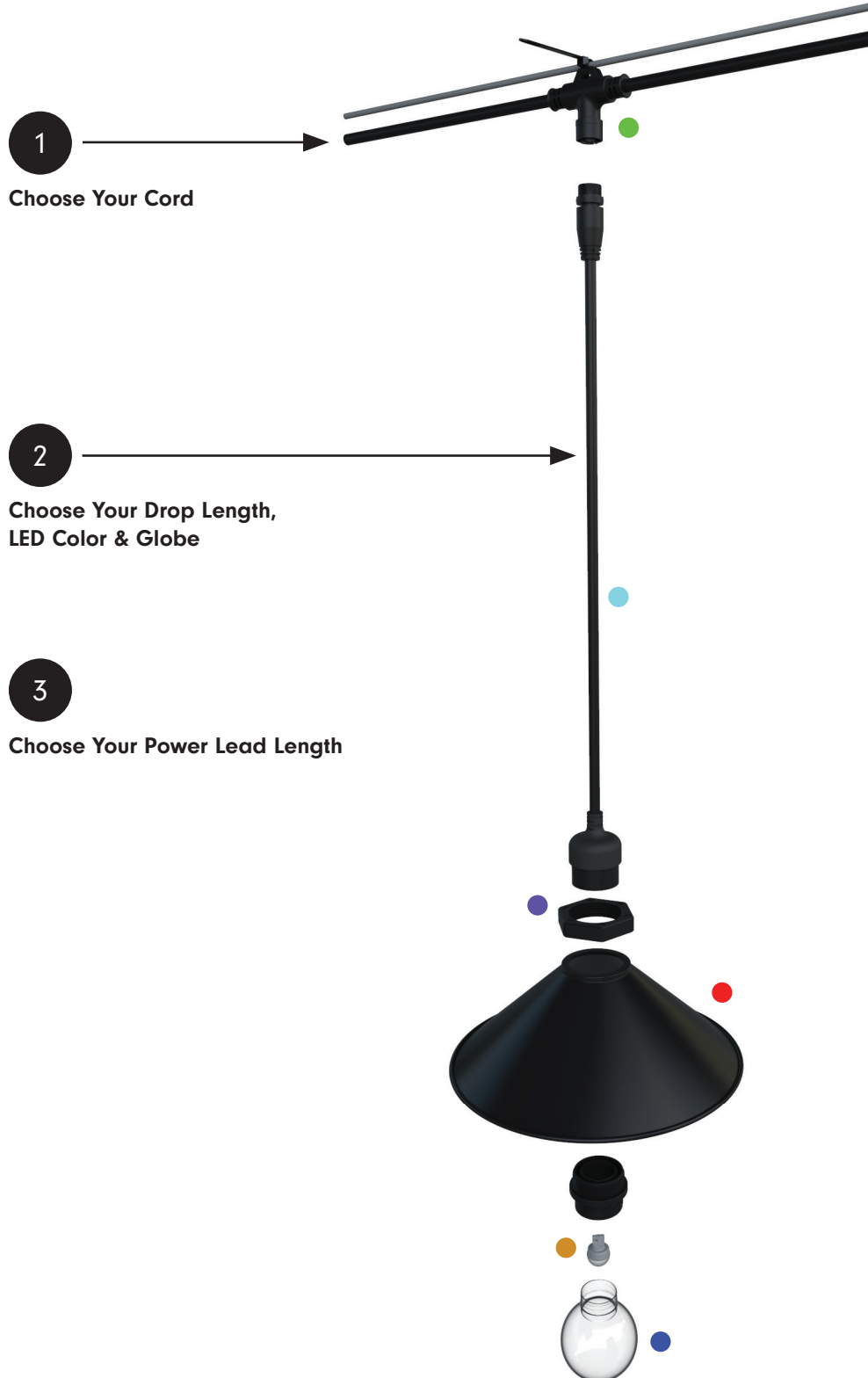
**DROP**  
Tivoli's New DROP system gives you standard 6 length options and a custom offering for additional lengths.

**SHADE ADAPTER - optional**  
Tivoli's Patent Pending universal shade adapter allows you to mix and match any shade with our line of String Light.

**LIGHT SHADE - optional**  
Multiple light shades to choose from to add form and function to your design. Dark Sky compliance.

**LIGHT ENGINE**  
3 light intensities to choose from up to 75 lumens. Available in Standard, High Output and Very High Output. Tivoli's VHO wedge based LED is 20 times brighter than our standard output offering. Built with a thermal plastic base for optimal heat dissipation

**GLOBES**  
12 globe options to finish your design and achieve a personal look.

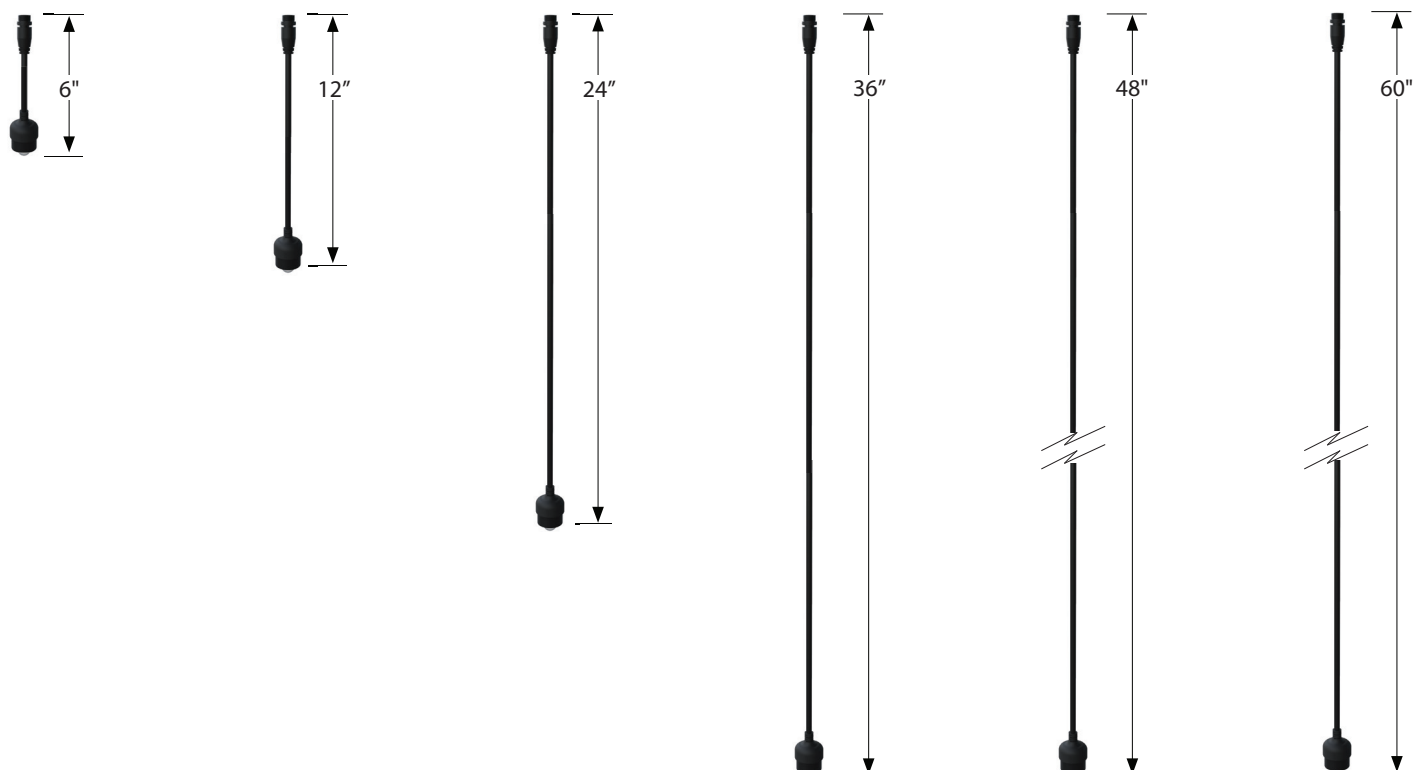




Project: \_\_\_\_\_ TYPE: \_\_\_\_\_

- Robust specification-grade strand with factory molded spacing for consistent quality from start to finish
- Available DarkSky option with added light shade
- 12V DC Low voltage system for long runs
- Shatter proof globe
- IP65
- cULus
- 5 Year warranty

## Dimensions





## 1 - Strand Order Guide

PRODUCT CODE	PROFILE	STRAND COLOR	SPACING
<b>LSD2</b>	<b>STRND</b>		
<b>LSD2</b> = Litesphere DROP 2.0	<b>STRND</b> = Strand	<b>BK</b> = Black <b>WH</b> = White*	<b>24</b> = 24" OC <b>36</b> = 36" OC <b>48</b> = 48" OC

\*Contact Factory for MOQ and lead time

## 2 - Drop Order Guide - Standard Globes

Note: All DROPS are pre-built with choice of LED color and globe, ready to install.

PRODUCT CODE	PROFILE	DROP COLOR	LED TYPE	CCT COLOR	GLOBE	DROP LENGTH
<b>LSD2</b>	<b>DRP</b>					
<b>LSD2</b> = Litesphere Drop 2.0	<b>DRP</b> = Drop	<b>BK</b> = Black <b>WH</b> = White**	<b>S</b> = Standard Output <b>H</b> = High Output <b>V</b> = Very High Output	<b>19</b> = 1900K <b>27</b> = 2700K <b>30</b> = 3000K <b>35</b> = 3500K <b>40</b> = 4000K <b>50</b> = 5000K* <b>AM</b> = Amber* <b>RD</b> = Red* <b>GN</b> = Green* <b>YL</b> = Yellow* <b>RB</b> = Royal Blue* <b>TS</b> = Turtle Safe*	<b>C</b> = Clear <b>F</b> = Frosted <b>O</b> = Opal <b>ANGPET</b> = Angela <b>KATPET</b> = Katie <b>GINPET</b> = Gina	<b>6</b> = 6" <b>12</b> = 12" <b>24</b> = 24" <b>36</b> = 36" <b>48</b> = 48" <b>60</b> = 60"

\*Available in VHO LED only

\*\*For drop color white, CCT color RB and TS, contact Factory for MOQ and lead time

## 2 - Drop Order Guide - Color Globes

Note: All DROPS are pre-built with choice of LED color and globe, ready to install.

PRODUCT CODE	PROFILE	DROP COLOR	LED TYPE	CCT COLOR	GLOBE	DROP LENGTH
<b>LSD2</b>	<b>DRP</b>					
<b>LSD2</b> = Litesphere Drop 2.0	<b>DRP</b> = Drop	<b>BK</b> = Black <b>WH</b> = White**	<b>S</b> = Standard Output <b>H</b> = High Output <b>V</b> = Very High Output	<b>35</b> = 3500K*	<b>Y</b> = Yellow <b>R</b> = Red <b>N</b> = Orange <b>G</b> = Green <b>B</b> = Blue <b>P</b> = Purple <b>Z</b> = Varied Color	<b>6</b> = 6" <b>12</b> = 12" <b>24</b> = 24" <b>36</b> = 36" <b>48</b> = 48" <b>60</b> = 60"

\*3500K CCT is recommended for best color result when choosing colored globe

\*\*For drop color white contact Factory for MOQ and lead time

### 3 - Power Lead Order Guide

**LSL2-XEP-X-XX**

X = B (black), W\* (white)

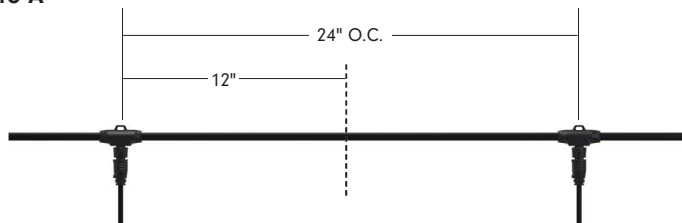
XX = 05 (5'), 10 (10'), 15 (15'), 20 (20'), 25 (25')

For custom length consult factory

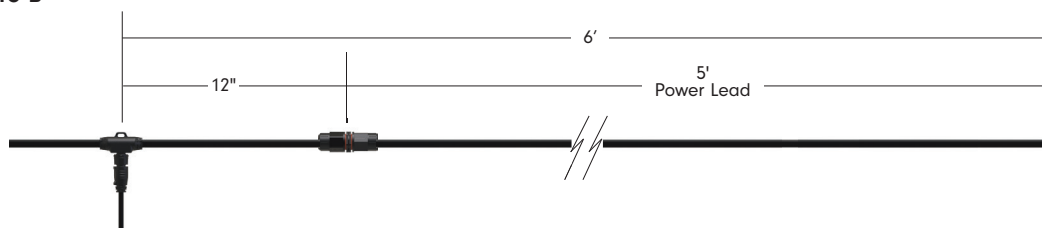
Figure A - All Litesphere DROP 2.0 are evenly cut between globes according to specified spacing.

Figure B - Power leads are added to the end cut, extending the total length of the power lead.

**Figure A**



**Figure B**



\*Contact Factory for MOQ and lead time

### Jumper Order Guide (Optional)

**LSL2-JUMPER-X-XX**

X = B (black), W\* (white)

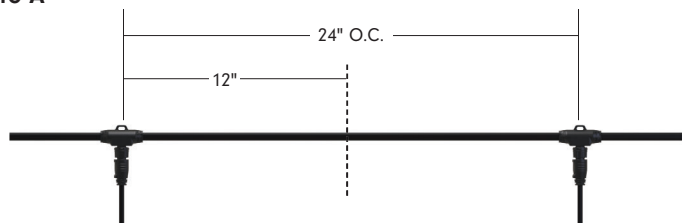
XX = 05 (5'), 10 (10')

For custom length, consult factory

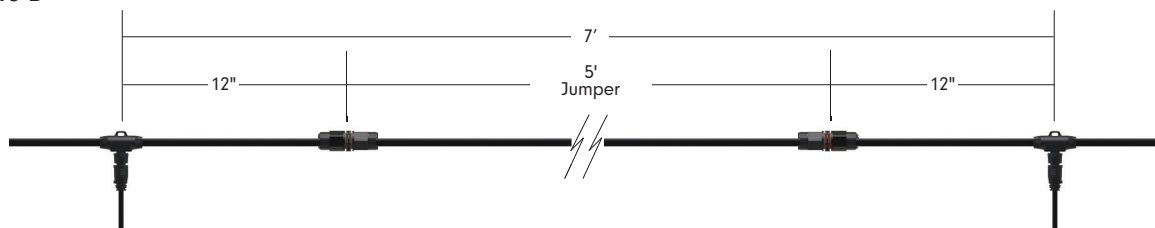
Figure A - All Litesphere DROP 2.0 are evenly cut between globes according to specified spacing.

Figure B - Jumpers are added between the cuts, extending the total length of wire between globes.

**Figure A**



**Figure B**



\*Contact Factory for MOQ and lead time

Tivoli, LLC. reserves the right to modify this specification without prior notice.

## Output

S - Standard Output				
Spacing	24"	36"	48"	
Max Run	250'	275'	275'	
Watts/ft	0.08	0.05	0.04	
CRI	82.9			

H - High Output				
Spacing	24"	36"	48"	
Max Run	150'	175'	200'	
Watts/ft	0.18	0.12	0.09	
CRI	82			

V - Very High Output				
Spacing	24"	36"	48"	
Max Run	80'	90'	100'	
Watts/ft	0.42	0.28	0.21	
CRI	82.2			

### Opal Globe

S - Standard Output (3000K)				
Spacing	24"	36"	48"	
Lumens/ft	2.05	1.3	1.0	

H - High Output (3000K)				
Spacing	24"	36"	48"	
Lumens/ft	5.3	3.4	2.6	

V - Very High Output (3000K)				
Spacing	24"	36"	48"	
Lumens/ft	30.9	20.6	15.4	

### Angela Globe

S - Standard Output				
Spacing	24"	36"	48"	
Lumens/ft	CF	CF	CF	

H - High Output				
Spacing	24"	36"	48"	
Lumens/ft	CF	CF	CF	

V - Very High Output (3500K)				
Spacing	24"	36"	48"	
Lumens/ft	37.4	24.9	18.7	

### Clear Globe

S - Standard Output (3000K)				
Spacing	24"	36"	48"	
Lumens/ft	2.5	1.6	1.25	

H - High Output (3000K)				
Spacing	24"	36"	48"	
Lumens/ft	6.5	4.3	3.2	

V - Very High Output (3000K)				
Spacing	24"	36"	48"	
Lumens/ft	37.6	25.1	18.8	

### Katie Globe

S - Standard Output				
Spacing	24"	36"	48"	
Lumens/ft	CF	CF	CF	

H - High Output				
Spacing	24"	36"	48"	
Lumens/ft	CF	CF	CF	

V - Very High Output (3500K)				
Spacing	24"	36"	48"	
Lumens/ft	34.7	23.1	17.3	

### Frosted Globe

S - Standard Output (3000K)				
Spacing	24"	36"	48"	
Lumens/ft	2.4	1.6	1.2	

H - High Output (3000K)				
Spacing	24"	36"	48"	
Lumens/ft	6.25	4.16	3.12	

V - Very High Output (3000K)				
Spacing	24"	36"	48"	
Lumens/ft	36.0	24.0	18.0	

### Gina Globe

S - Standard Output				
Spacing	24"	36"	48"	
Lumens/ft	CF	CF	CF	

H - High Output				
Spacing	24"	36"	48"	
Lumens/ft	CF	CF	CF	

V - Very High Output (3500K)				
Spacing	24"	36"	48"	
Lumens/ft	38.6	25.7	19.3	

## Specifications

Electrical	
Input Voltage	12V DC
Physical	
Dimensions	2.5"W x 3.8"H
Socket Housing	PVC
American Wire Gauge	14 AWG
Globe	PET (Shatterproof)
Mounting	Surface Mount, Suspended
Operating Temperature	-20°C to 50°C (-4°F to 122°F)
Storage Temperature	-40°C to 65°C (-40°F to 149°F)
Certification and Testing	
Certification	cULus
Environment	Wet Location
L70	60,000
IP Rating	IP67
Warranty	5 Years

Control	
Control System	0-10V, ELV, MLV, DMX 512 (Dim to 1% with an Infinity power supply and a 0-10V Lutron Diva dimmer)

Drop Weight						
Length	6'	12"	24"	36"	48"	60"
Weights/unit	CF	0.15	0.19	0.22	CF	CF

Strand Weight			
OC Spacing	24"	36"	48"
Weights/ft (Strand and Catenary Cable Only)	0.12	0.114	0.11

Photometrics

Note: Based on 3000K

Standard Brightness

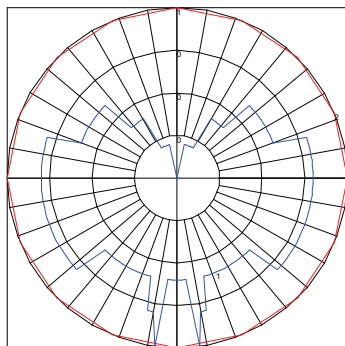
High Output

Very High Output

Opal Globe

PHOTOMETRIC AND ELECTRICAL MEASUREMENTS - DISTRIBUTION METHOD (25°C +/- 1°C)

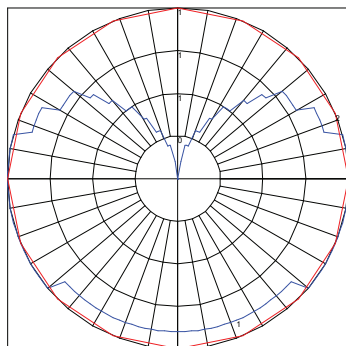
POLAR GRAPH AND MAXIMUM CANDELA INTENSITY				
Maximum Candela	Location	Horizontal Angle	Location	Vertical Angle
0.5		0		7.5



Maximum Candela = 0.5 Located At Horizontal Angle = 0, Vertical Angle = 7.5  
 # 1 - Vertical Plane Through Horizontal Angles (0 - 180) (Through Max. Cd.)  
 # 2 - Horizontal Cone Through Vertical Angle (7.5) (Through Max. Cd.)

PHOTOMETRIC AND ELECTRICAL MEASUREMENTS - DISTRIBUTION METHOD (25°C +/- 1°C)

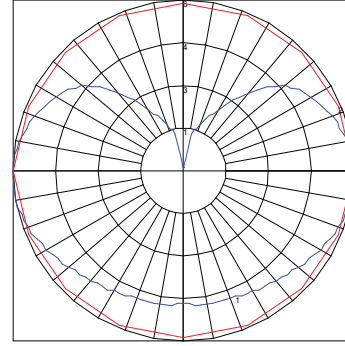
POLAR GRAPH AND MAXIMUM CANDELA INTENSITY				
Maximum Candela	Location	Horizontal Angle	Location	Vertical Angle
2		0		50



Maximum Candela = 2 Located At Horizontal Angle = 0, Vertical Angle = 50  
 # 1 - Vertical Plane Through Horizontal Angles (0 - 180) (Through Max. Cd.)  
 # 2 - Horizontal Cone Through Vertical Angle (50) (Through Max. Cd.)

PHOTOMETRIC AND ELECTRICAL MEASUREMENTS - DISTRIBUTION METHOD (25°C +/- 1°C)

POLAR GRAPH AND MAXIMUM CANDELA INTENSITY				
Maximum Candela	Location	Horizontal Angle	Location	Vertical Angle
5.9		0		77.5

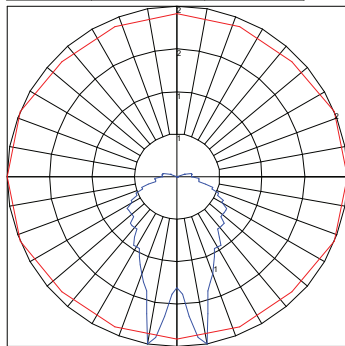


Maximum Candela = 5.9 Located At Horizontal Angle = 0, Vertical Angle = 77.5  
 # 1 - Vertical Plane Through Horizontal Angles (0 - 180) (Through Max. Cd.)  
 # 2 - Horizontal Cone Through Vertical Angle (77.5) (Through Max. Cd.)

Clear Globe

PHOTOMETRIC AND ELECTRICAL MEASUREMENTS - DISTRIBUTION METHOD (25°C +/- 1°C)

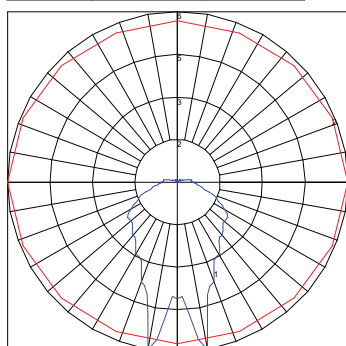
POLAR GRAPH AND MAXIMUM CANDELA INTENSITY				
Maximum Candela	Location	Horizontal Angle	Location	Vertical Angle
2.3		0		10



Maximum Candela = 2.3 Located At Horizontal Angle = 0, Vertical Angle = 10  
 # 1 - Vertical Plane Through Horizontal Angles (0 - 180) (Through Max. Cd.)  
 # 2 - Horizontal Cone Through Vertical Angle (10) (Through Max. Cd.)

PHOTOMETRIC AND ELECTRICAL MEASUREMENTS - DISTRIBUTION METHOD (25°C +/- 1°C)

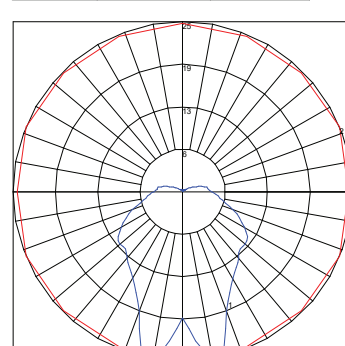
POLAR GRAPH AND MAXIMUM CANDELA INTENSITY				
Maximum Candela	Location	Horizontal Angle	Location	Vertical Angle
6.1		0		10



Maximum Candela = 6.1 Located At Horizontal Angle = 0, Vertical Angle = 10  
 # 1 - Vertical Plane Through Horizontal Angles (0 - 180) (Through Max. Cd.)  
 # 2 - Horizontal Cone Through Vertical Angle (10) (Through Max. Cd.)

PHOTOMETRIC AND ELECTRICAL MEASUREMENTS - DISTRIBUTION METHOD (25°C +/- 1°C)

POLAR GRAPH AND MAXIMUM CANDELA INTENSITY				
Maximum Candela	Location	Horizontal Angle	Location	Vertical Angle
25.3		22.5		12.5

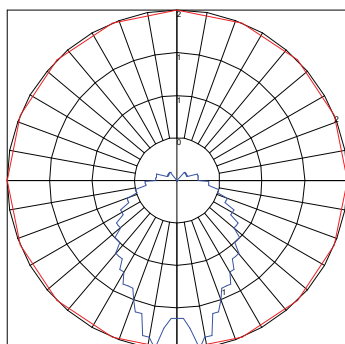


Maximum Candela = 25.3 Located At Horizontal Angle = 22.5, Vertical Angle = 12.5  
 # 1 - Vertical Plane Through Horizontal Angles (22.5 - 202.5) (Through Max. Cd.)  
 # 2 - Horizontal Cone Through Vertical Angle (12.5) (Through Max. Cd.)

Frosted Globe

PHOTOMETRIC AND ELECTRICAL MEASUREMENTS - DISTRIBUTION METHOD (25°C +/- 1°C)

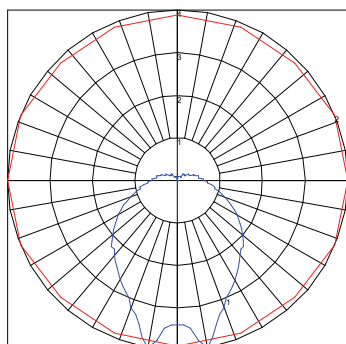
POLAR GRAPH AND MAXIMUM CANDELA INTENSITY				
Maximum Candela	Location	Horizontal Angle	Location	Vertical Angle
1.6		0		7.5



Maximum Candela = 1.6 Located At Horizontal Angle = 0, Vertical Angle = 7.5  
 # 1 - Vertical Plane Through Horizontal Angles (0 - 180) (Through Max. Cd.)  
 # 2 - Horizontal Cone Through Vertical Angle (7.5) (Through Max. Cd.)

PHOTOMETRIC AND ELECTRICAL MEASUREMENTS - DISTRIBUTION METHOD (25°C +/- 1°C)

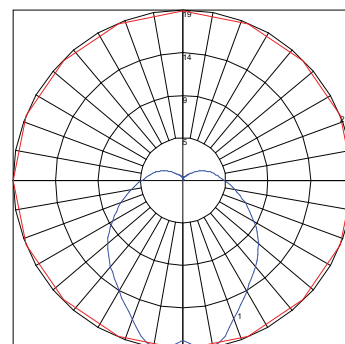
POLAR GRAPH AND MAXIMUM CANDELA INTENSITY				
Maximum Candela	Location	Horizontal Angle	Location	Vertical Angle
4		0		10



Maximum Candela = 4 Located At Horizontal Angle = 0, Vertical Angle = 10  
 # 1 - Vertical Plane Through Horizontal Angles (0 - 180) (Through Max. Cd.)  
 # 2 - Horizontal Cone Through Vertical Angle (10) (Through Max. Cd.)

PHOTOMETRIC AND ELECTRICAL MEASUREMENTS - DISTRIBUTION METHOD (25°C +/- 1°C)

POLAR GRAPH AND MAXIMUM CANDELA INTENSITY				
Maximum Candela	Location	Horizontal Angle	Location	Vertical Angle
18.5		0		7.5



Maximum Candela = 18.5 Located At Horizontal Angle = 0, Vertical Angle = 7.5  
 # 1 - Vertical Plane Through Horizontal Angles (0 - 180) (Through Max. Cd.)  
 # 2 - Horizontal Cone Through Vertical Angle (7.5) (Through Max. Cd.)

Mounting Example



Mounting Accessories

**Warning:** For suspension application, catenary cable is required to support the product, otherwise the warranty will be void.



**LS-CABLE-XXX**  
**XXX = 60 (60'), 110 (110'), 500 (500')**  
 Note: 1/8" Galvanized cable includes 2 cable locks for use with loads up to 200lbs



**LS-LOCKX**  
**X = 2 (2 locks), 4 (4 locks)**  
 Cable lock for 1/8" cable  
 Note: Includes (1) cable release key. Lock holds loads up to 200lbs



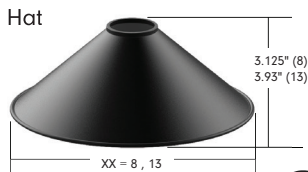
**LS-TT**  
 Catenary Cable Tensioning Tool  
 Note: Up to 880lbs with minimal effort due to the 6:1 gear drive mechanism



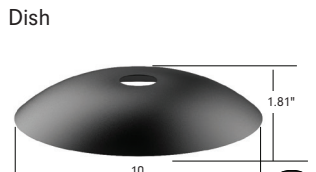
**LS-UVZP-BK-XX**  
**XX = 50 (50PCS), 30 (30PCS)**  
 UV resistant, heavy duty ties  
 Note: Maximum weight up to 100 lbs/tie

Light Shade Accessories

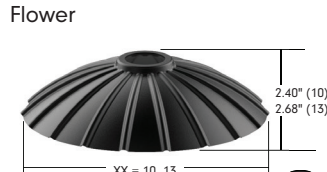
**Note:** Light Shade needed for DarkSky compliance



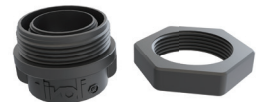
**SHADE-HT-BK-XX-XX**  
**XX = BK (black), CO\* (copper)**  
**XX = 8 (8.3"), 13\*\* (12.6")**  
 Black top, black/copper bottom  
 Weight: 0.46 lb (8), 1.2 lb (13)



**SHADE-DS-BK-BK-10**  
 10.2" Black top, black bottom  
 Weight: 0.76 lb



**SHADE-FL-BK-BK-XX**  
**XX = 10 (9.8"), 13 (13.8")**  
 Black top, black bottom  
 Weight: 0.63 lb (10), 1.48 lb (13)



**SHADE-ADP-LSL2-XX-XX**  
**XX = BK (Black), WH\* (White)**  
**XX = 01 (1pc), 25 (25pcs), 50 (50pcs)**  
 Litesphere 2.0 Shade Adapter kit  
**Note: One adaptor required for each shade**

\*Only available for 13 (Hat)

\*\*Consult factory for lead time and MOQ

Replacement Globes



**LST-CG**  
Litesphere 2.0  
2.5" Clear PET globe  
sold each



**LST-OG**  
Litesphere 2.0  
2.5" Opal PET globe  
sold each



**LST-FG**  
Litesphere 2.0  
2.5" Frosted PET globe  
sold each



**LST-XX**  
**XX = OR** (Orange), **YG** (Yellow),  
**GG** (Green), **BG** (Blue), **RG**  
(Red), **PG** (Purple) PET globe  
sold each  
3500K is recommended for best color  
result when choosing colored globe



**LST-GIN-2-PET**  
2.5" Gina PET globe  
sold each



**LST-KAT-2-PET**  
2.5" Katie PET globe  
sold each



**LST-ANG-2-PET**  
2.5" Angela PET globe  
sold each

Replacement Parts



**LSL-XX-V-12**  
**XX = 19, 27, 30, 35\*, 40, 50,**  
**AM, RD, RB, GN, YL, TS**  
12V VHO Wedge Base LED  
Sold each



**LSL-XX-X-12**  
**XX = 19, 27, 30, 35\*, 40**  
**X = S** (standard), **H** (high output)  
12V Wedge Base LED  
Sold each



**LSL2-INT-X**  
**X = B** (black), **W\*** (white)  
Connector to join the strand  
Sold each



**LSL2-EC-X-(PK20)**  
**X = B** (black), **W\*\*** (white)  
Litesphere 2.0 End-Cap  
Weight: 0.0375 lb  
Sold each  
(add **PK20** for pack of 20  
Weight: 0.0375 lb/each)

\*3500K CCT is recommended for best color result when choosing colored globe  
\*\*Contact factory for MOQ and lead time

In-Wall Controls



**TVOQ-1-WH**  
White  
16 DMX channel, 16 scene,  
4 zone, glass touch screen



**TVOQ-10-XX-7**  
**XX = BK** (black), **WH** (white)  
1024 DMX channel, 500 scene,  
10 zone, glass touch screen



**TVOQ-2-BK**  
Black  
512 DMX channel, 99 scene

**Power Supplies**

**INFINITY - MLV / ELV / 0-10V / PWM / TRIAC**

Dim to 1% with a 0-10V Lutron Diva dimmer (by others)

DESCRIPTION	CAT NO	APPLICATION	PRIMARY VOLTAGE	SECONDARY VOLTAGE	CIRCUIT BREAKERS	MAX LOAD	MIN LOAD	CIRCUIT CAPACITY
Infinity Series Class 2 Transformer	INF-J-30-1-2.5-12	Indoor / Outdoor	100 - 277V AC	12V DC	1	30W	3W	2.5A
	INF-J-60-1-5-12				1	60W	6W	5A
	INF-J-180-3-5-12				3	3x60W	3x6W	3x5A
	INF-J-300-5-5-12				5	5x60W	5x6W	5x5A

**ADNM - NON DIMMING**

DESCRIPTION	CAT NO	APPLICATION	PRIMARY VOLTAGE	SECONDARY VOLTAGE	CIRCUIT BREAKERS	MAX LOAD	CIRCUIT CAPACITY
ADNM Series Class 2 Transformer	ADNM-60-1-5-12-D	Indoor / Outdoor	100-277V AC 50/60 HZ	12V DC	1	60W	5A
	ADNM-80-1-5-12-D				1	60W	5A
	ADNM-150-2-5-12-D				2	2x60W	2x5A
	ADNM-240-3-5-12-D				3	3x60W	3x5A
	ADNM-320-4-5-12-D				4	4x60W	4x5A

**ADNM - 0-10V DIMMING**

DESCRIPTION	CAT NO	APPLICATION	PRIMARY VOLTAGE	SECONDARY VOLTAGE	CIRCUIT BREAKERS	MAX LOAD	CIRCUIT CAPACITY
ADNM Series Class 2 Transformer	ADNM-60-1-5-12-DOT	Indoor / Outdoor	100-277V AC 50/60 HZ	12V DC	1	60W	5A
	ADNM-80-1-5-12-DOT				1	60W	5A
	ADNM-150-2-5-12-DOT				2	2x60W	2x5A
	ADNM-240-3-5-12-DOT				3	3x60W	3x5A
	ADNM-320-4-5-12-DOT				4	4x60W	4x5A

**ADNM - DMX SINGLE ADDRESS**

DESCRIPTION	CAT NO	APPLICATION	PRIMARY VOLTAGE	SECONDARY VOLTAGE	CIRCUIT BREAKERS	MAX LOAD	CIRCUIT CAPACITY
ADNM Series Class 2 Transformer	ADNM-60-1-5-12-DIN	Indoor / Outdoor	100-277V AC 50/60 HZ	12V DC	1	60W	5A
	ADNM-80-1-5-12-DIN				1	60W	5A
	ADNM-150-2-5-12-DIN				2	2x60W	2x5A
	ADNM-240-3-5-12-DIN				3	3x60W	3x5A
	ADNM-320-4-5-12-DIN				4	4x60W	4x5A

**ADNM - DMX MULTI ADDRESS**

DESCRIPTION	CAT NO	APPLICATION	PRIMARY VOLTAGE	SECONDARY VOLTAGE	CIRCUIT BREAKERS	MAX LOAD	CIRCUIT CAPACITY
ADNM Series Class 2 Transformer	ADNM-150-2-5-12-DIN-2	Indoor / Damp	100-277V AC 50/60 Hz	12V DC	2	2x60W	5A
	ADNM-240-3-5-12-din-3				3	3x60W	3x5A